

PAMS Technical Documentation

NSB-8 Series Transceivers

Accessories

Table of Contents

	Page No
BLB-2 Standard Battery.....	4
Product Code	4
ACP-7 Standard Charger	5
Product Codes	5
Specification	5
ACP-8 Travel Charger	6
Product Codes	6
Specification	6
DCD-1 Desktop Stand	7
Product Code	7
Specification	7
DDC-1 Battery Charging Stand	8
Product Code	8
Specifications	8
LCH-9 Mobile Charger.....	9
Product Code	9
Specification	9
PPH-1 Plug-in HF Car Kit	10
Product Code	10
Specification	10
MBD-10 Mobile Holder.....	11
Product Code	11
MKU-1 Mounting Plate	12
Product Code	12
HHS-9 Swivel Mount.....	13
Product Code	13
HFM-8 Handsfree Microphone.....	14
Product Code	14
HDC-5 Headset	15
Product Code	15
LPS-3 Loopset.....	16
Product Code	16
Recommended Batteries	17

List of Figures

Fig 1	View of the BLB-2 Standard Battery	4
Fig 2	View of the ACP-7 Standard Charger	5
Fig 3	View of the ACP-8 Travel Charger	6
Fig 4	View of the DCD-1 Desktop Stand	7
Fig 5	View of the DDC-1 Battery Charging Stand.....	8
Fig 6	View of the LCH-9 Mobile Charger	9
Fig 7	View of PPH-1 Plug-in HF Car Kit	10
Fig 8	View of the MBD-10 Mobile Holder	11
Fig 9	View of the MKU-1 Mounting Plate	12
Fig 10	View of the HHS-9 Swivel Mount	13
Fig 11	View of the HFM-8 Handsfree Microphone	14
Fig 12	View of the HDC-5 Headset.....	15
Fig 13	View of the LPS-3 Loopset	16

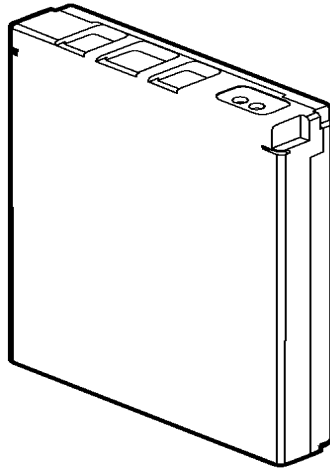
BLB-2 Standard Battery

The BLB-2 is a Li-ion type battery in a white plastic package.

Product Code

Battery pack BLB-2: *0271570*

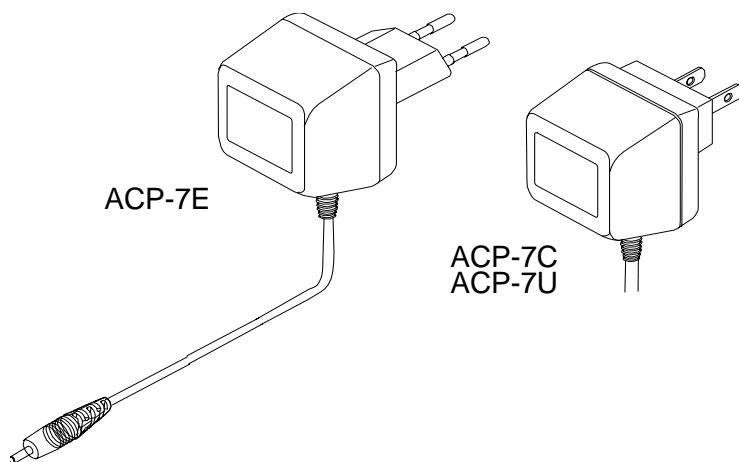
Figure 1: View of the BLB-2 Standard Battery



ACP-7 Standard Charger

The standard charger is available for different voltage levels and comes with different wall plugs. The standard charger can also be used as a power supply for the desktop stand.

Figure 2: View of the ACP-7 Standard Charger



Product Codes

Standard Charger (Europlug) 207-253 Vac	ACP-7E 0675144
Standard Charger (USplug) 108-132 Vac	ACP-7U 0675143
Standard Charger (USplug) 198-242 Vac	ACP-7C 0675158

Specification

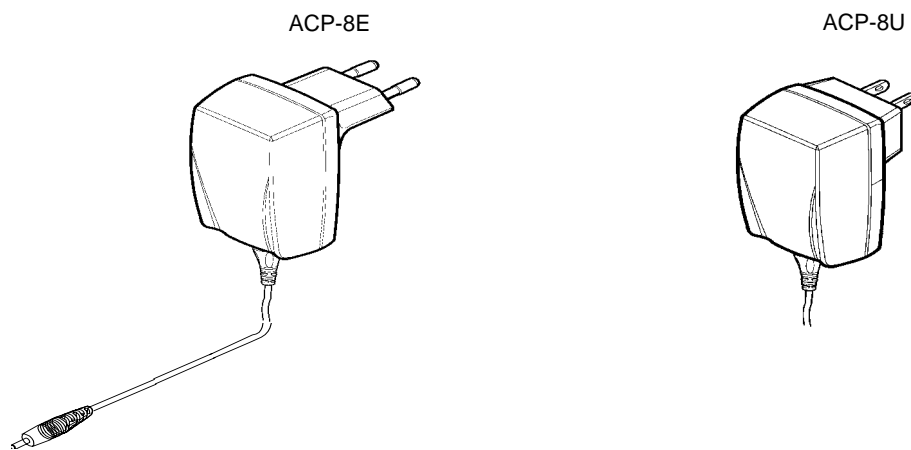
Output connectors:	3.5 mm DC plug, 2-pole
Protection:	PTC protection
Output Voltage /Current (typ)	7.6 V / 370 mA

ACP-8 Travel Charger

Operating within the voltage range 90 V...264 V AC (50 Hz...60 Hz), the Performance Travel Charger is practically current independent in normal office and household use. Like the standard charger, it is available for different wall sockets.

The Travel Charger can also be used with the desktop stand.

Figure 3: View of the ACP-8 Travel Charger



Product Codes

ACP-8E	Travel Charger Euro plug 90-264 Vac	0675195
ACP-8U	Travel Charger US plug 90-264 Vac	0675196

Specification

Output connectors: *3.5 mm DC plug, 2-pole (+, -, control)*

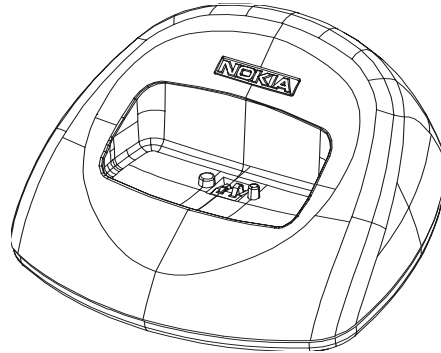
Protection: *Output fault voltage 16 V max.*

Output voltage/current (typ): *6.0 V (+0.3 V)/ 620 mA*

DCD-1 Desktop Stand

The desktop stand provides a convenient way to charge the phone in the upright position on a table.

Figure 4: View of the DCD-1 Desktop Stand



Product Code

DCD-1 Desktop stand: *0272865*

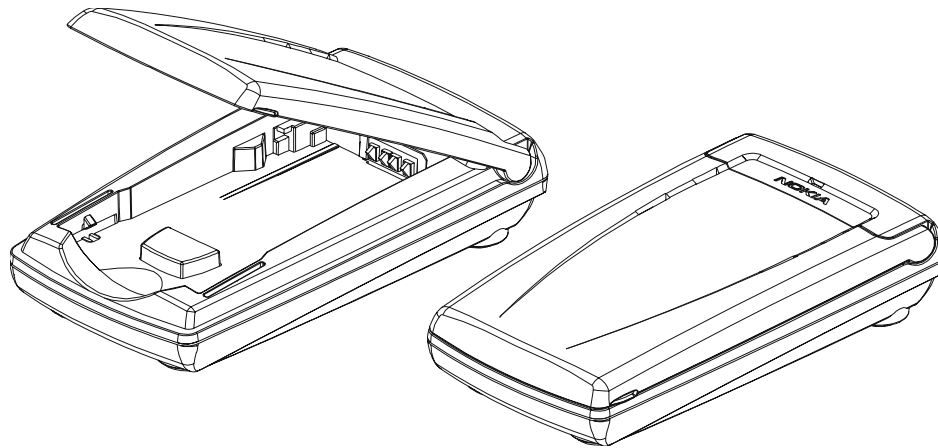
Specification

Connections: *3.5 mm DC jack (ACP-7 or ACP-8)*

DDC-1 Battery Charging Stand

The DDC-1 Battery Charging Stand provides users the possibility of charging a spare battery .

Figure 5: View of the DDC-1 Battery Charging Stand



Product Code

DDC-1 Battery Charging Stand: *0272418*

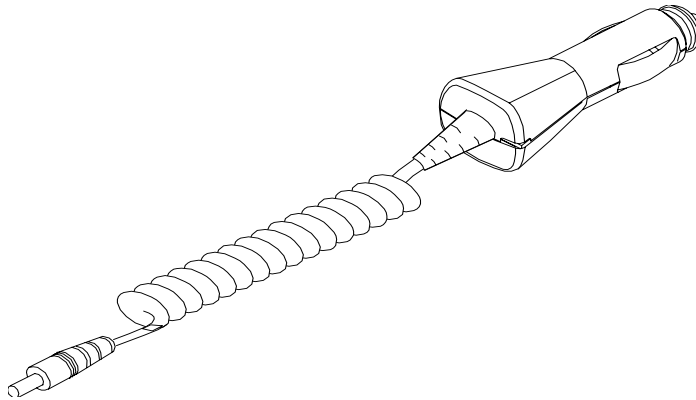
Specifications

Connections: 3.5 mm DC jack (ACP-7 or ACP-8)

LCH-9 Mobile Charger

A green light indicates that the cigarette lighter charger is ready for charging. Check the charging status on the phone display. The input voltage can be from 11 or 32 V DC, negative grounding.

Figure 6: View of the LCH-9 Mobile Charger



Product Code

LCH-9 Mobile charger: *0675120*

Specification

Connectors

- input: *D 21/23 mm*
- output: *3.5 mm DC plug*

Protection: *input fused, output current limit 850 mA*

Voltage

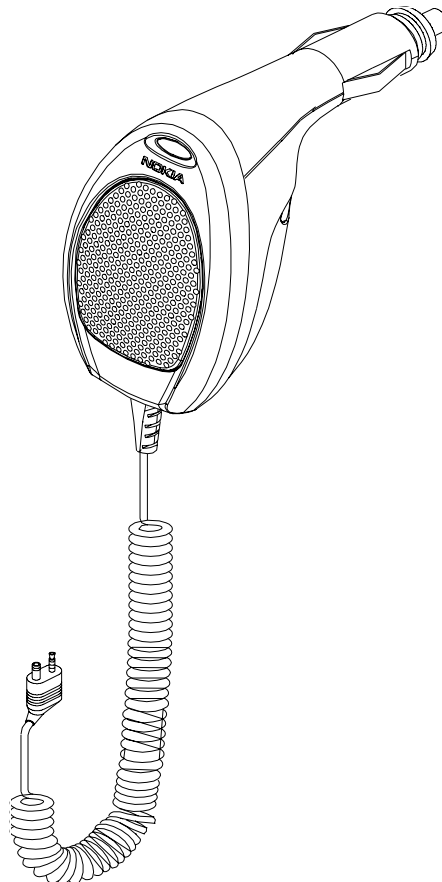
- input: *11...32 V*
- output (nominal): *8.4 V*

Nominal output current: *800 mA*

PPH-1 Plug-in HF Car Kit

The PPH-1 provides rapid charging for the phone and possibility for HF operation. The PPH-1 plug and play handsfree unit is connected directly to the cigarette lighter in a car. PPH-1 is connected to the mobile phone with the cable. The cable has combined connector with charger- and headset connectors.

Figure 7: View of PPH-1 Plug-in HF Car Kit



Product Code

Headset PPH-1: 0272170

Specification

Output connectors:	3.5 mm DC plug, 2-pole (+, -, control)
Input voltage:	8-16VDC
Protection:	Output fault voltage 16 V max.
Output current:	750 mA max.

MBD-10 Mobile Holder

The MBD-10 Mobile Holder is used in vehicle to hold the phone. Attaching can be done using a swivel or mounting plate.

Figure 8: View of the MBD-10 Mobile Holder



Product Code

Mobile Holder MBD-10: *0272866 Eur/Afr*

0273412 APAC

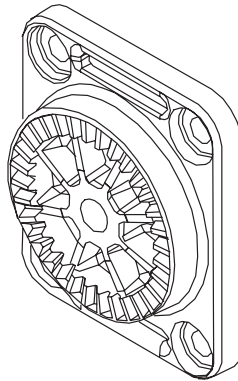
MKU-1 Mounting Plate

The MKU-1 mounting plate provides a method of fixing the MBD-10 Mobile Holder to the vehicle interior.

Product Code

MKU-1 Mounting plate: *0620036*

Figure 9: View of the MKU-1 Mounting Plate



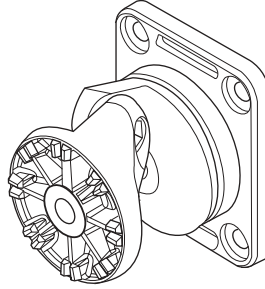
HHS-9 Swivel Mount

The HHS-9 swivel mounting plate provides an alternative (to MKU-1) method of fixing the MBD-10 Mobile Holder.

Product Code

Swivel mounting plate HHS-9: *0620037*

Figure 10: View of the HHS-9 Swivel Mount



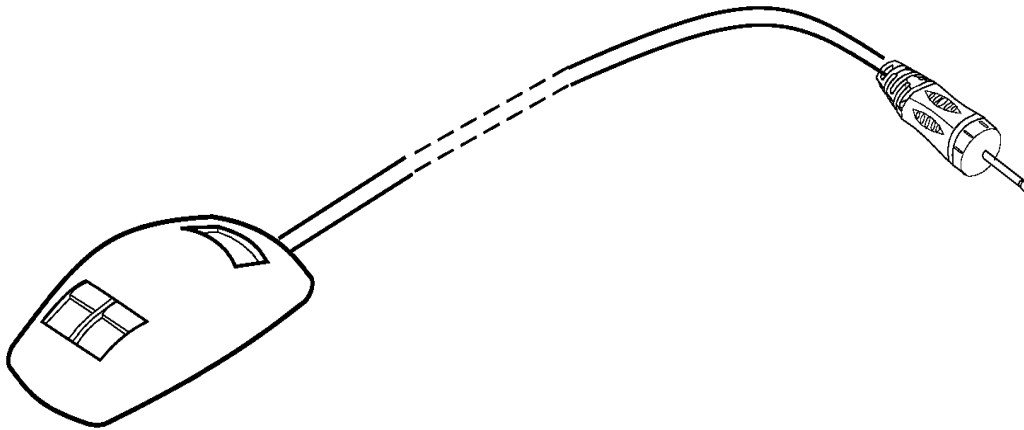
HFM-8 Handsfree Microphone

The HFM-8 microphone can be used together with PPH-1 Plug-in Car Kit.

Product Code

HFM-8 Handsfree Microphone: *0271503*

Figure 11: View of the HFM-8 Handsfree Microphone



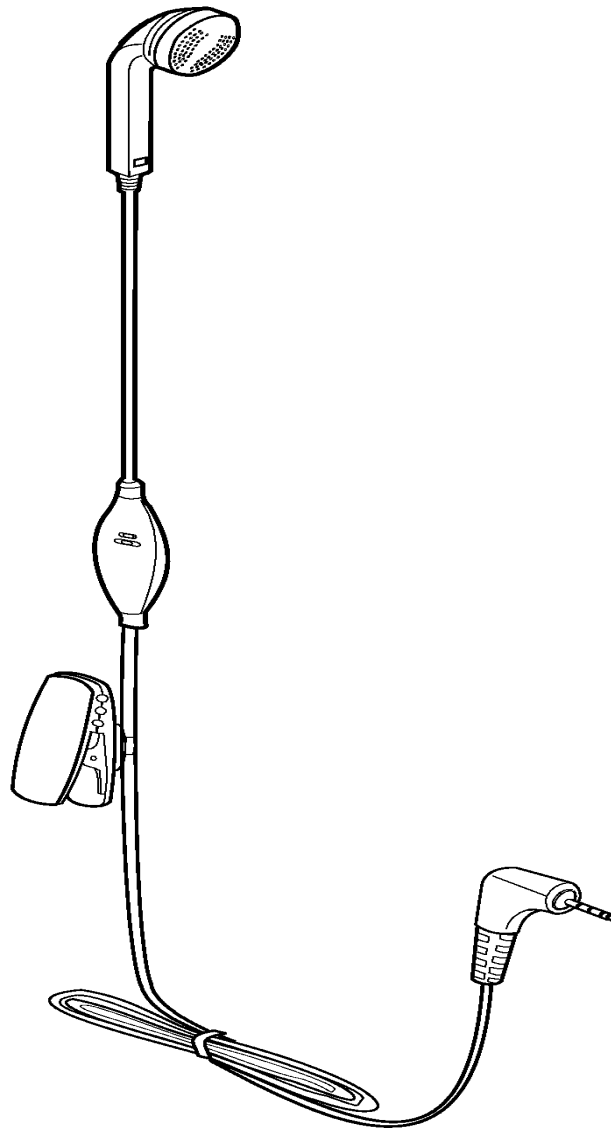
HDC-5 Headset

The HDC-5 headset also provides a hook switch for the answer/end call button.

Product Code

Headset HDC-5: 0271467

Figure 12: View of the HDC-5 Headset

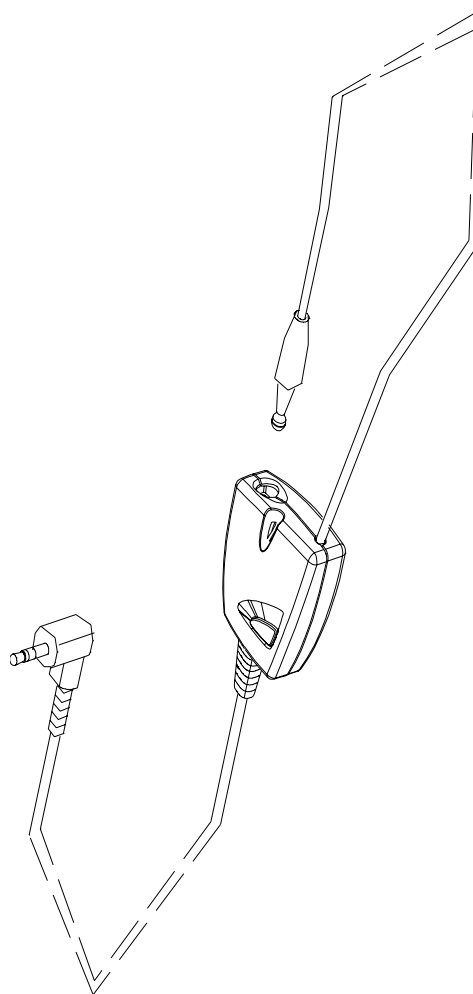


LPS-3 Loopset

The LPS-3 Loopset has been developed for hearing aid users to allow them to use mobile phones. It is based on induction technology.

All hearing aids have support for induction loop, that is, they have a little tele-coil inside. This coil can capture the signal supplied to the loop. Standard hearing aids have two operation modes: (1) the M-mode for normal microphone use and (2) the T-mode for tele-coil.

Figure 13: View of the LPS-3 Loopset



Product Code

Loopset LPS-3: *0630244*

Recommended Batteries

Table 1: Recommended Batteries

Type	Size / IEC-type	Rated capacity	Talk time (3mA load)	Standby (20uA load)
Zinc Air Hearing Aid Battery	675 / PR44	540 mAh	180 hours	840 hours or 35 days (1)
Silver Oxide Hearing Aid Battery	675 / SR44	150 mAh	50 hours	7 500 hours or 310 days
Alkaline Battery	675 / LR44	110 mAh	36 hours	5 500 hours or 230 days

Note: The capacity of the zinc air battery will fall 20% in a month. After the activation, the zinc air battery begins to self-discharge. The battery will be empty within 5 weeks.

This page intentionally left blank.